

YEZS 系列

建筑机械用双速锥形转子三相异步电动机

YEZS range of double-speed conical-rotor brake three-phase induction motors for construction machinery

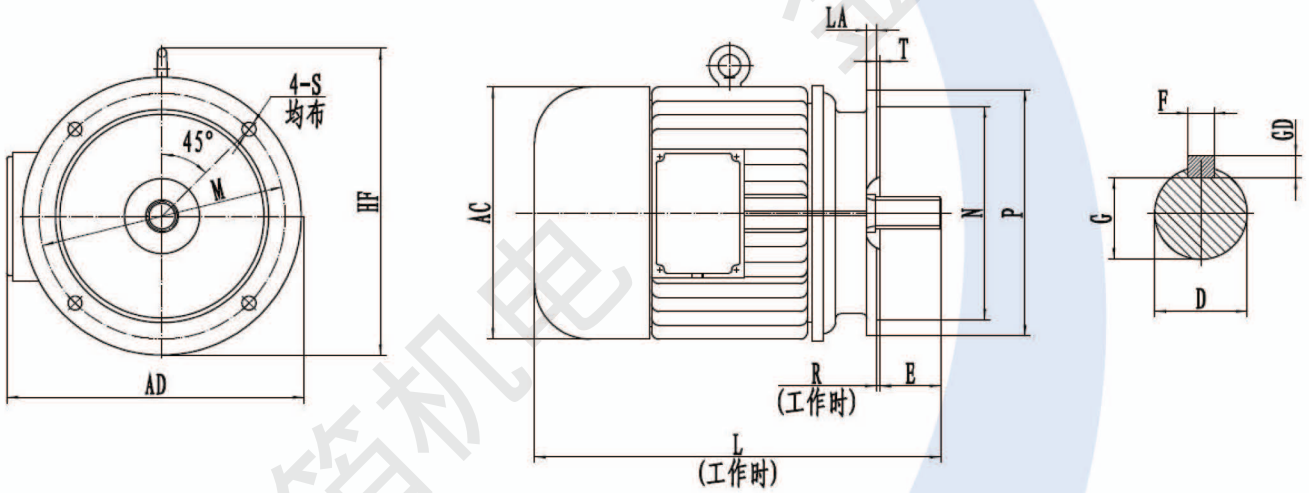
YEZS系列双速锥形转子电动机是与建筑机械(搅拌机、减速机、钢筋切割机、塔式起重机等设备)配套而专门设计的产品,电动机与制动装置融为一体,具有起动转矩大、过载能力强,制动安全可靠、结构紧凑、体积小、重量轻、可频繁起动等特点,该系列电动机安装尺寸与Y系列电动机相同,可与同型号电动机互换,具有广泛的适应性。

YEZS series double-speed conical-rotor motors are specially designed for use in construction machinery (mixers, reducers, rebar cutters, Derrick, etc.) , it has the characteristics of large starting torque, strong overload capacity, safe and reliable braking, compact structure, small volume, light weight and frequent starting, etc. , it can be interchanged with the same type of motor and has a wide range of adaptability.



技术参数:

项目 型号	额定功率 (kW)	额定转速 (r/min)	额定电流 (A)	堵转转矩/ 额定转矩	堵转电流/ 额定电流	制动力矩 (N·m)	转动惯量 (N·m ²)	重量 (kg)
YEZS100L2-4/6	2.2/1.5	1380/920	6.6/6.5	1.8/1.9	6.0/5.0	18	1.3	43
YEZS100L2-4/8	2.0/1.1	1380/720	4.1/4.5					
YEZS112M-4/6	2.8/2.2	1380/960	6.7/5.7	2.0/2.2	6.5/5.5	20	2.0	62
YEZS112M-4/8	2.4/1.5	1380/720	6.8/6.7	2.2/2.0	6.0/5.2			
YEZS132S-4/6	4.0/3.0	1380/920	8.9/8.0	2.0/2.1	6.5/5.0	30	2.5	87
YEZS132S-4/8	3.3/2.2	1380/720	8.1/8.2		6.0/5.0			
YEZS132M-4/6	5.5/4.0	1400/920	14/13.2	2.0/2.2	6.5/5.8	45	3.4	94
YEZS132M-4/8	4.5/3.0	1380/720	13.6/13.2	2.2/2.2	6.0/5.0	40		



外形及安装尺寸：

Outline and installation dimension:

主要尺寸 型号	额定功率 (kW)	E		R 工作时	电机轴伸				P	N	T	LA	M	S	AC	AD	L	HF							
		平键	花键		D	GD	G	F																	
YEZS100L2-4/6	2.2/1.5	平键	60	0	φ28	7	24	8	250	180j6			215	210	280	415	270								
		花键	40	20	6×23h15×28e9×6c11																				
YEZS100L2-4/8	2.0/1.1	平键	60	0	φ28	7	24	8																	
		花键	40	20	6×23h15×28e9×6c11																				
YEZS112M-4/6	2.8/2.2	平键	60	0	φ28	7	24	8																	
		花键	40	20	6×23h15×28e9×6c11																				
YEZS112M-4/8	2.4/1.5	平键	60	0	φ28	7	24	8										300	230j6	4	15	272	310	443	305
		花键	40	20	6×23h15×28e9×6c11																				
YEZS132S-4/6	4.0/3.0	平键	80	0	φ38	8	33	10																	
		花键	50	30	10×28h15×35e9×4c11																				
YEZS132S-4/8	3.3/2.2	平键	80	0	φ38	8	33	10																	
		花键	50	30	10×28h15×35e9×4c11																				
YEZS132M-4/6	5.5/4.0	平键	80	0	φ38	8	33	10	16			265	328	365	527	350									
		花键	50	30	10×28h15×35e9×4c11																				
YEZS132M-4/8	4.5/3.0	平键	80	0	φ38	8	33	10																	
		花键	50	30	10×28h15×35e9×4c11																				